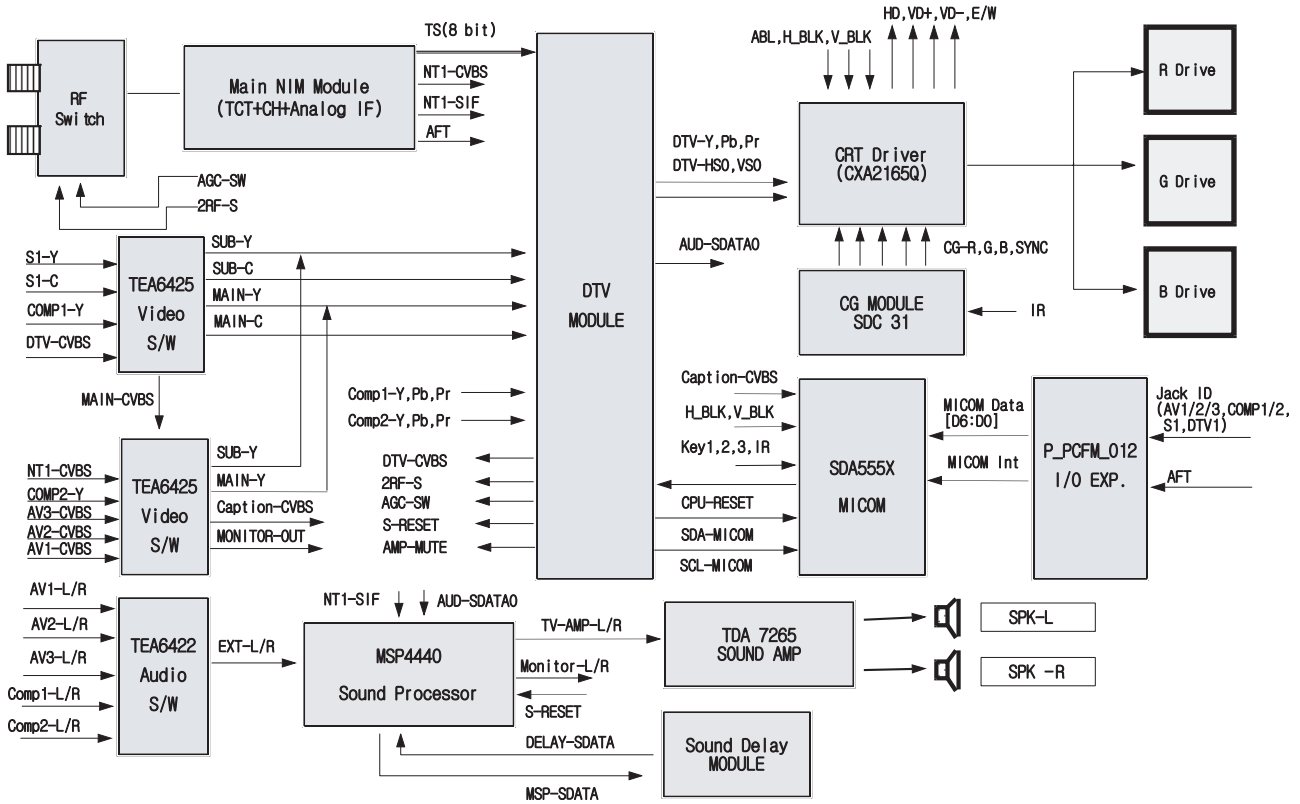
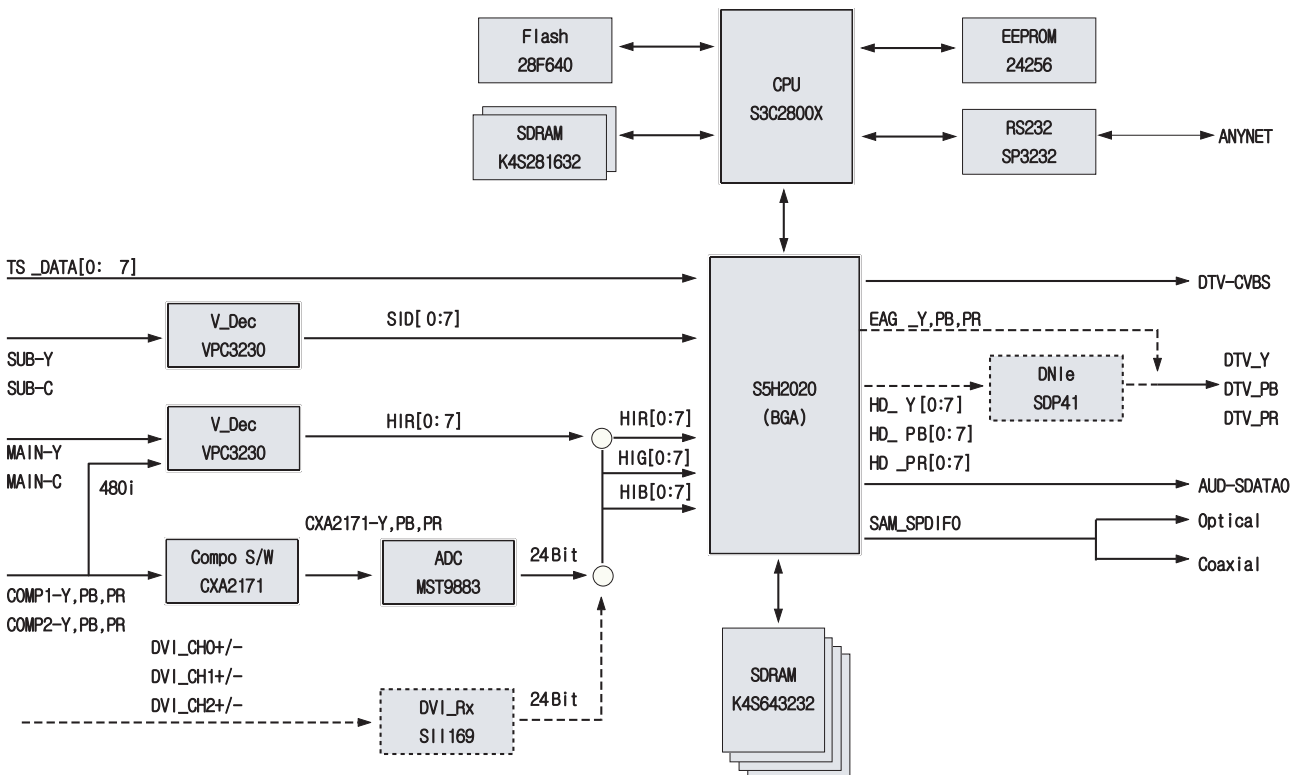


## 6. Block Diagram

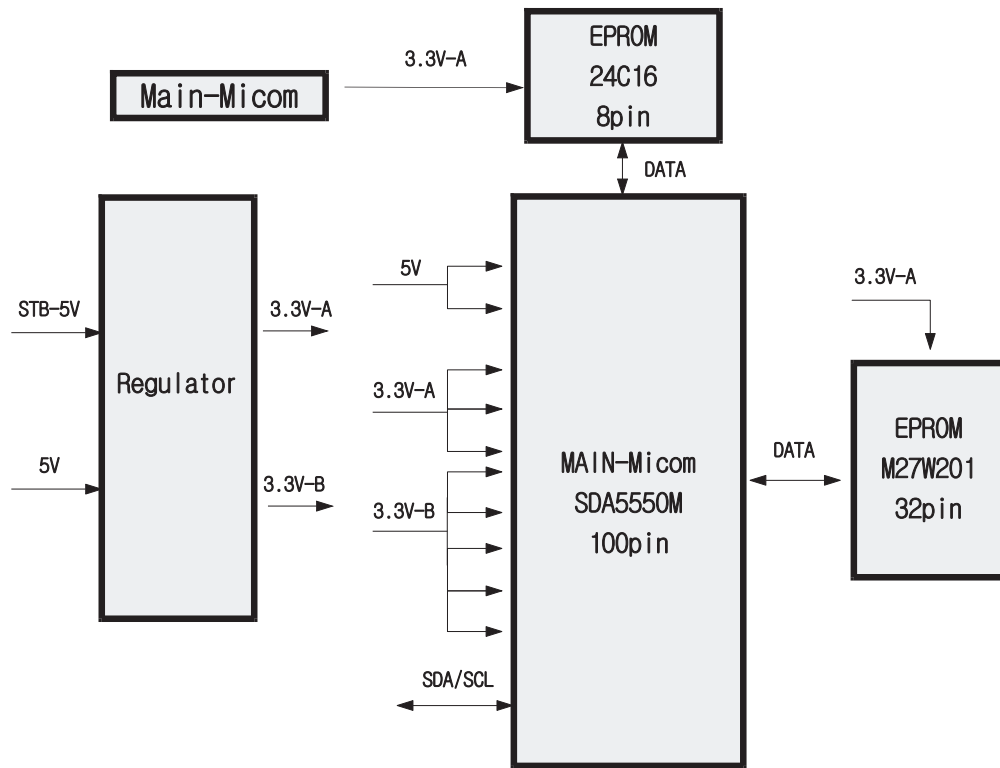
### 6-1 Main Block



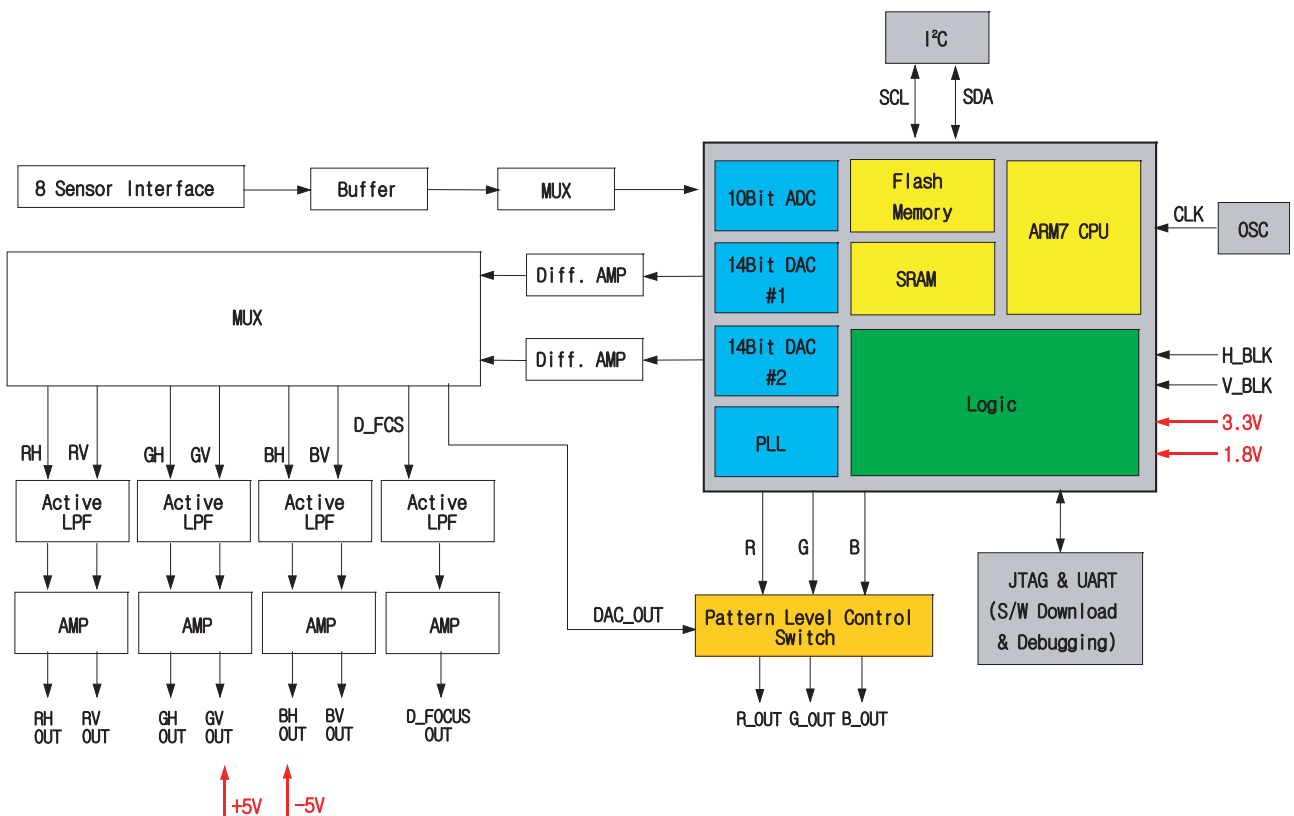
### 6-2 DTV Module Block



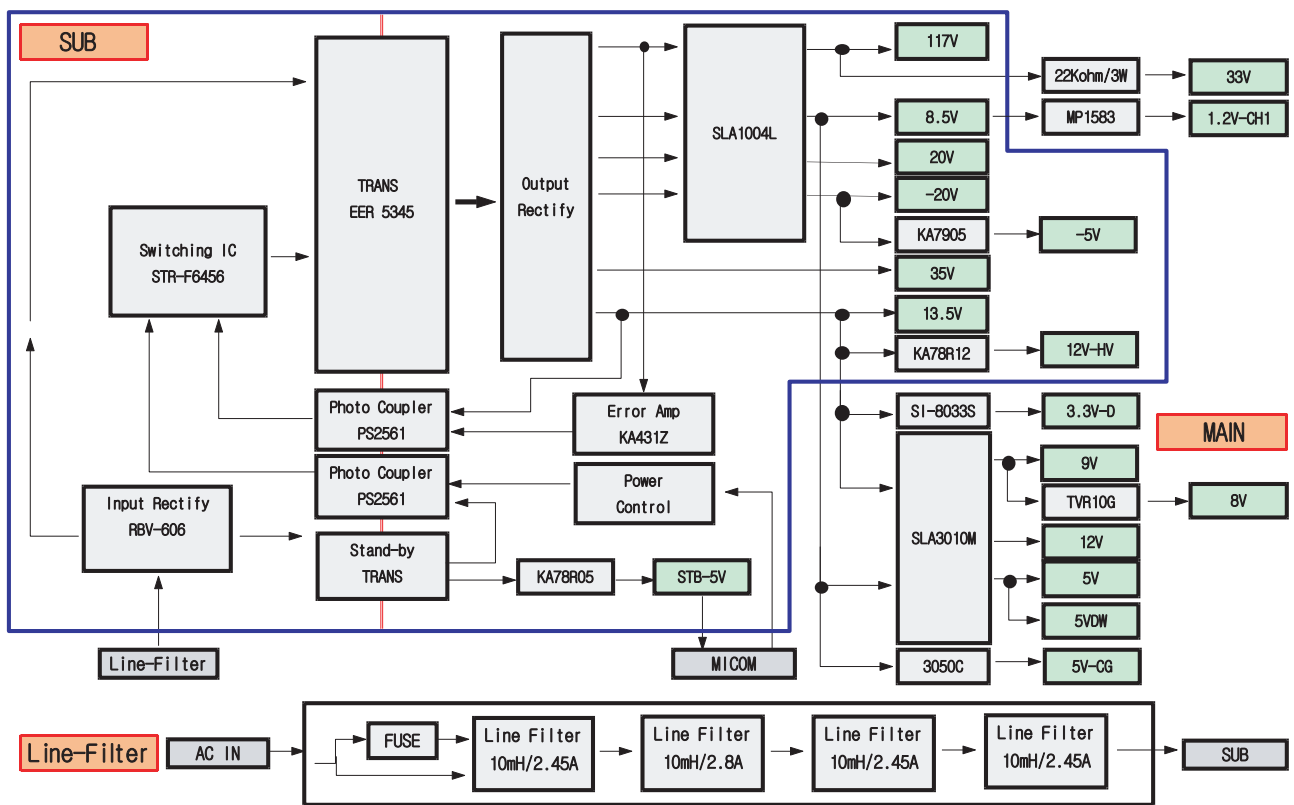
### 6-3 Microm Block



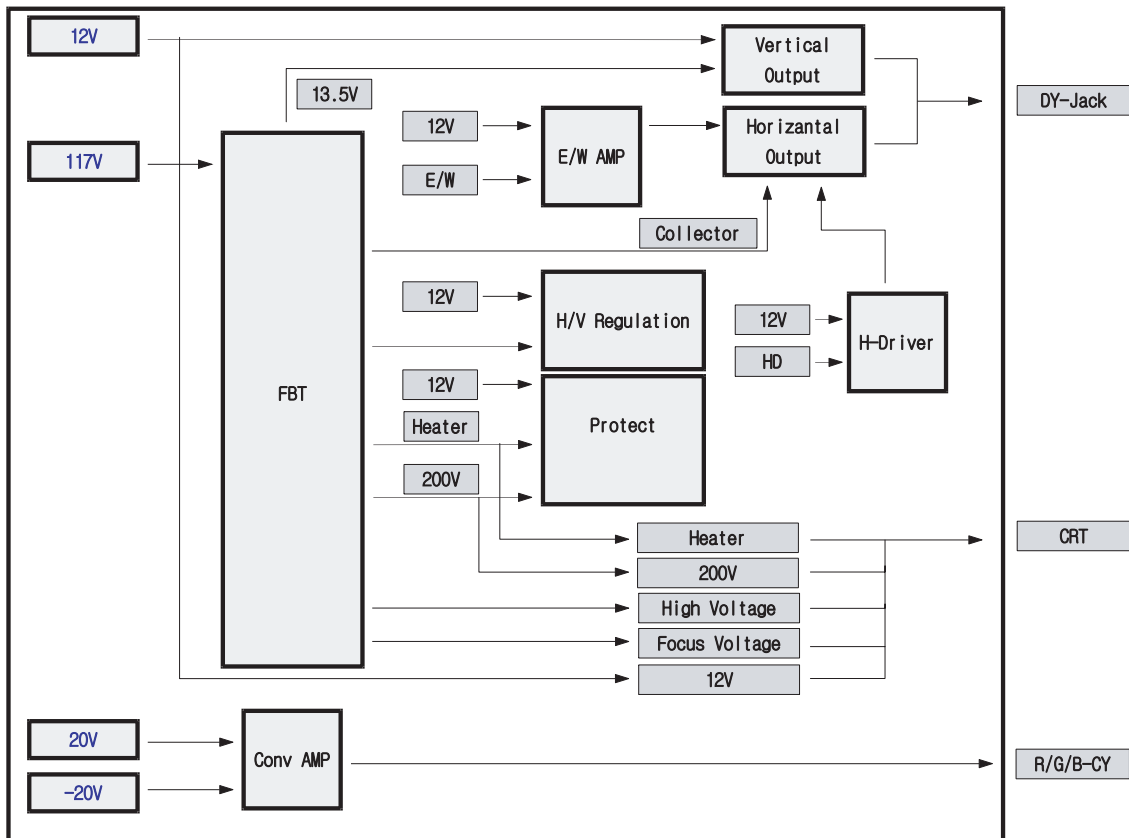
### 6-4 Cg-Module Block



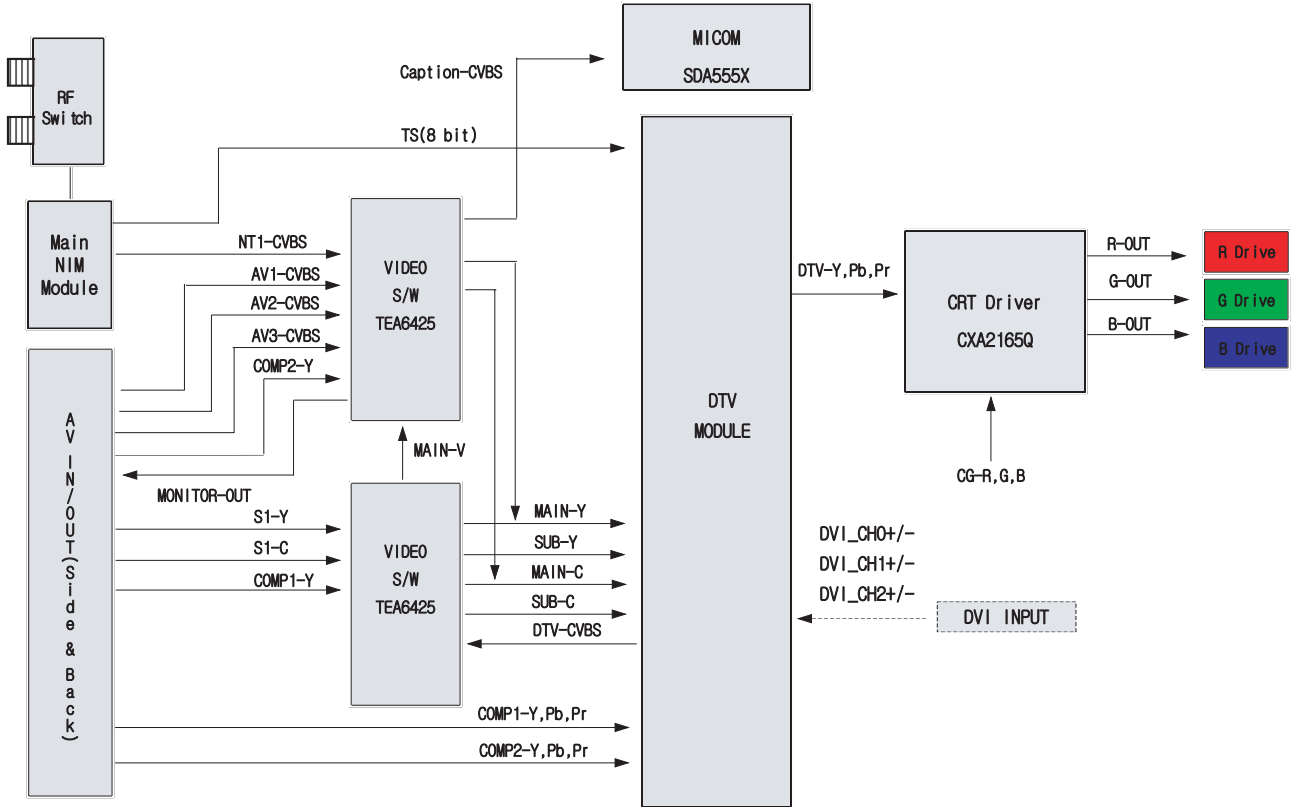
### 6-5 Power Block



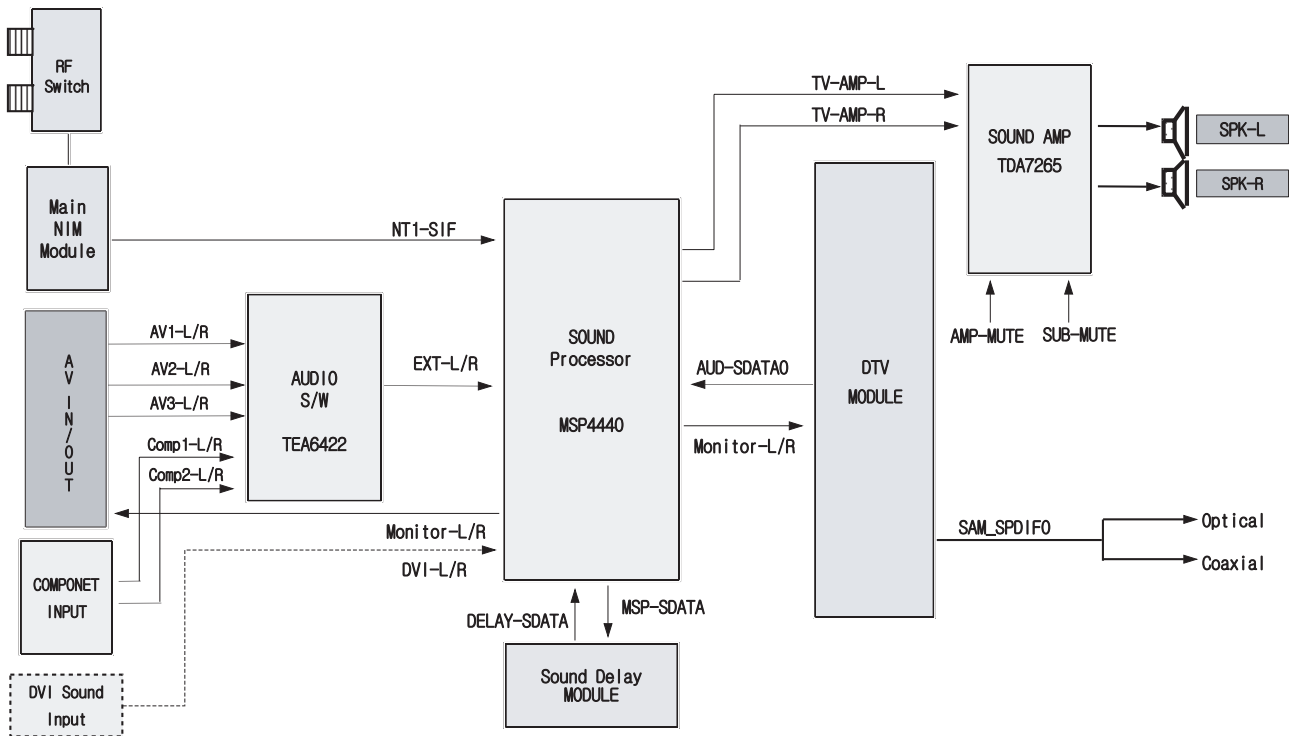
### 6-6 Deflection Block



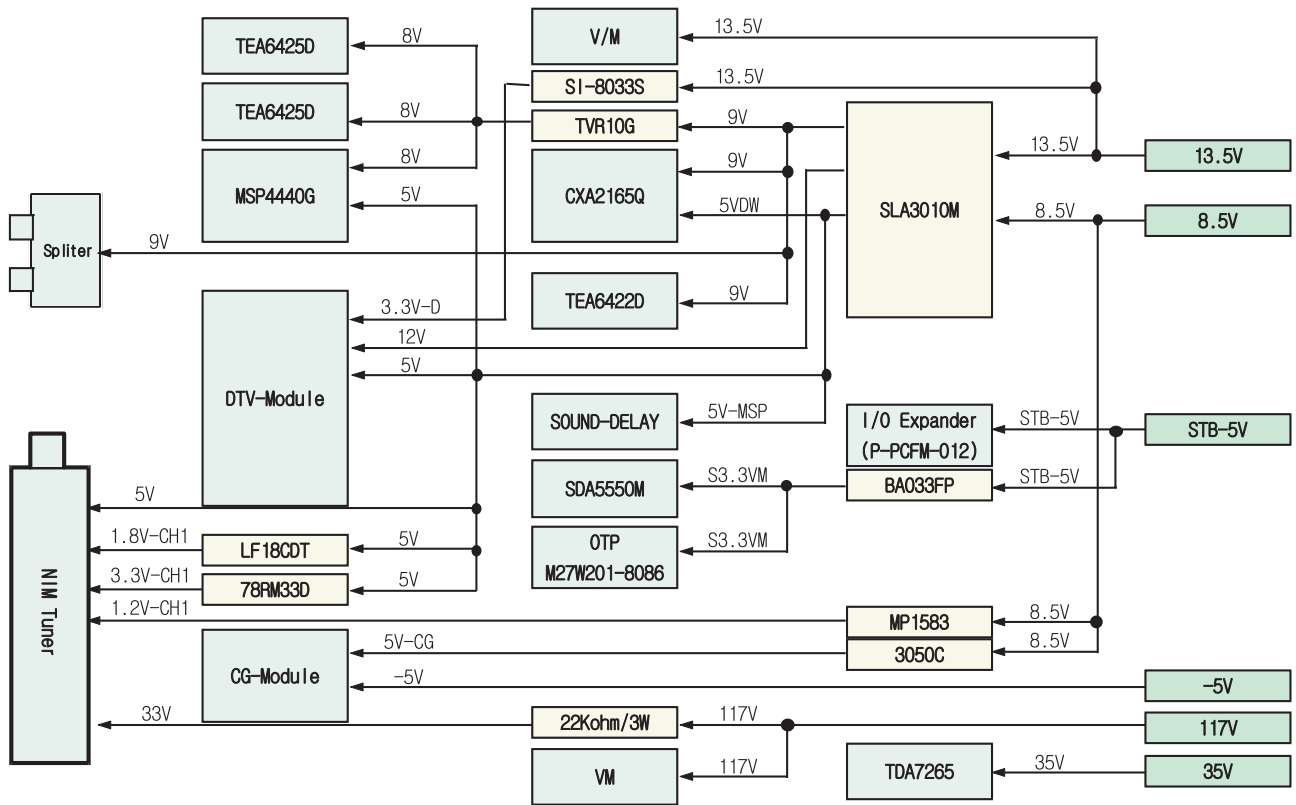
## 6-7 Video Signal



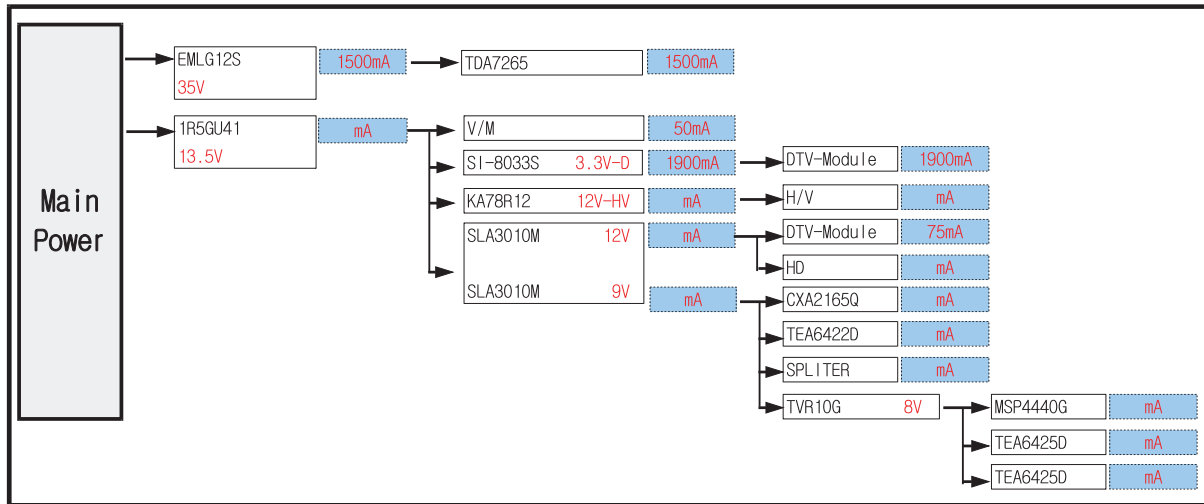
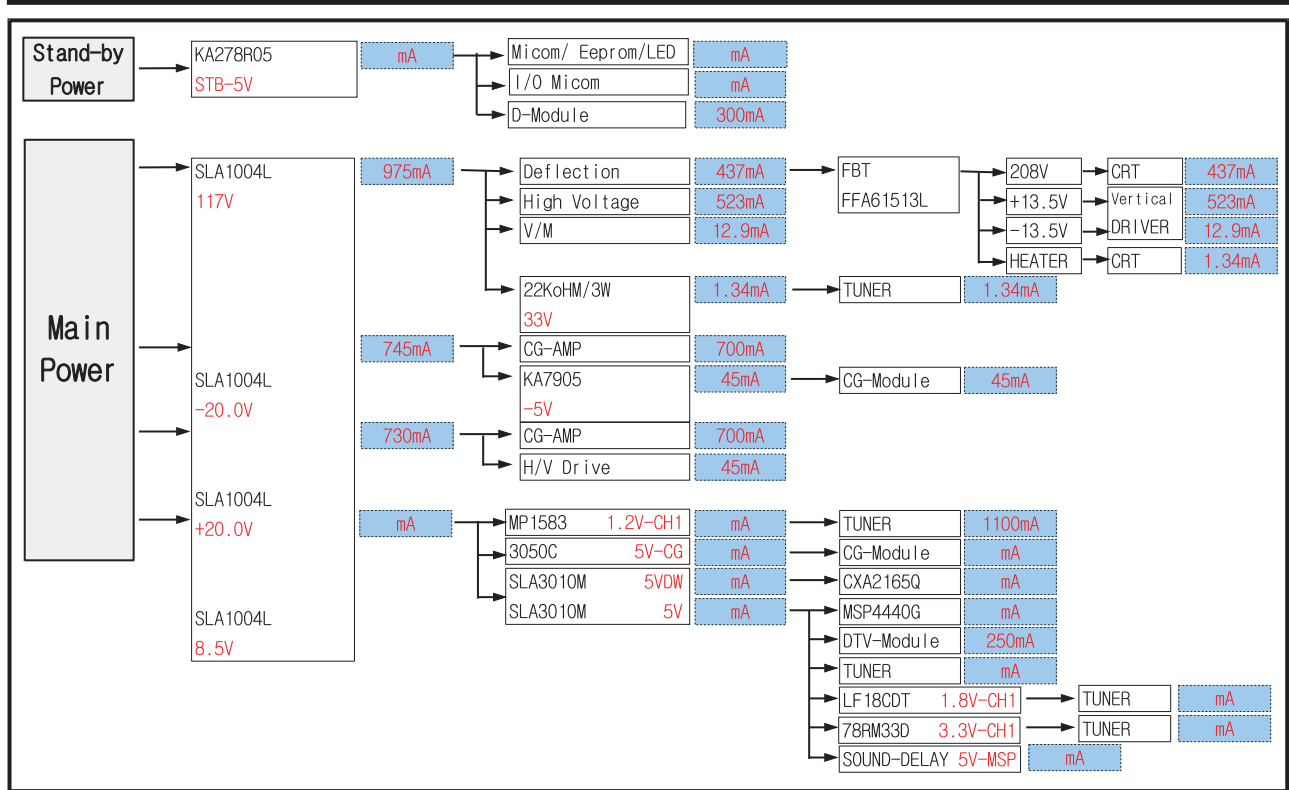
## 6-8 Sound Signal



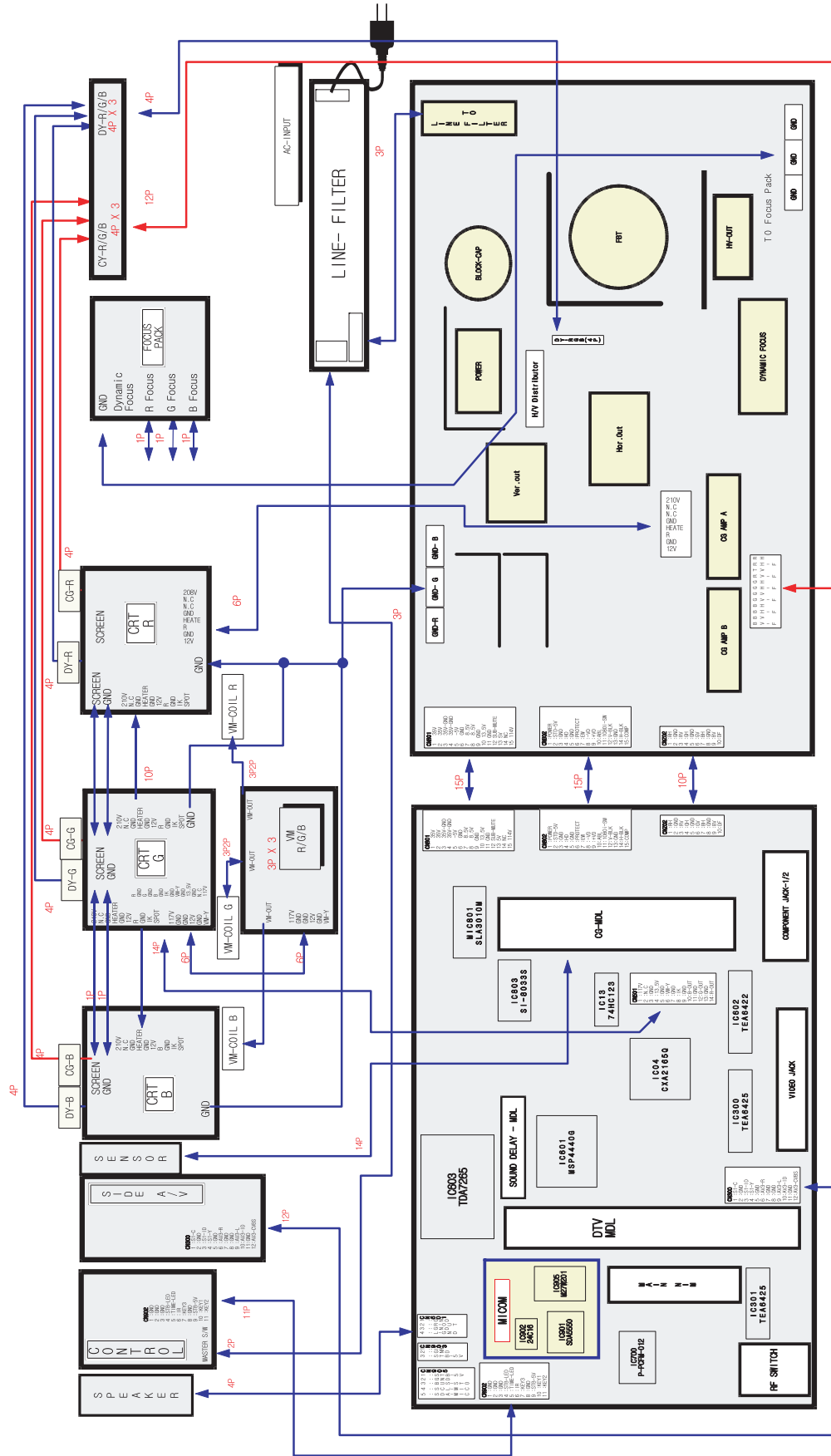
### 6-9 Power Signal



### 6-10 Voltage/Current Diagram



# 6-11 Connection Diagram



# MEMO